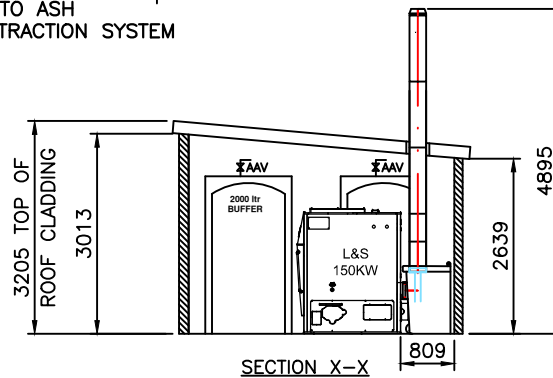
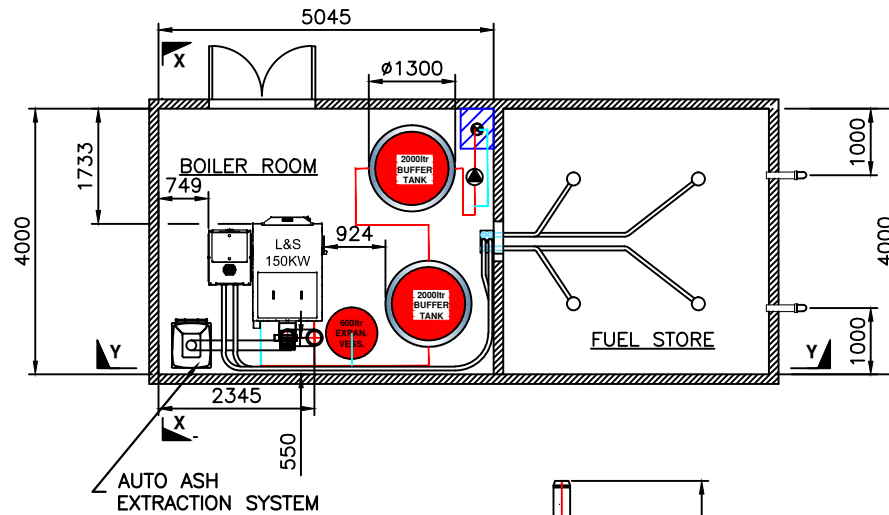
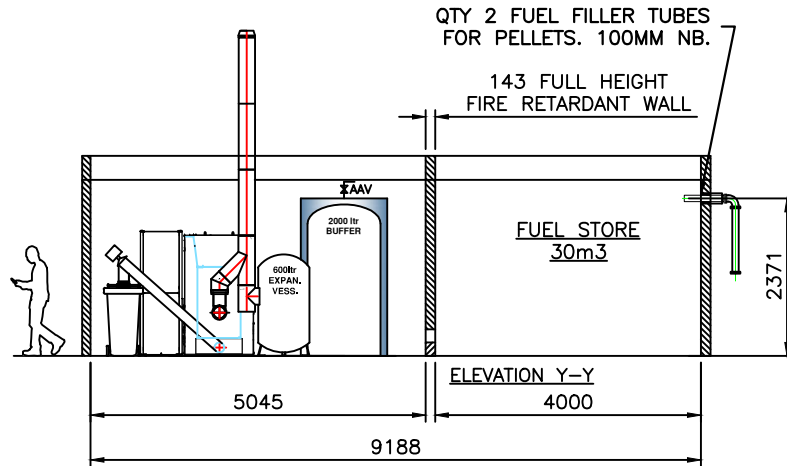


SITE LAYOUT PLAN



NOTES.

1. ALL DIMENSIONS ARE IN MILLIMETRES UNLESS SEPCIFIED OTHERWISE.
2. BUILDING DESIGN BASED ON 'ONSITE CONSTRUCTION.
3. EXTERNAL TO BE TIMBER CLAD ONJ ALL FOUR SIDES.
4. ROOF MATERIAL TO BE PROFILED STEEL COLOUR TBC.
5. FLUE EXTERNAL SECTIONS TO BE POWDER COATED TO STANDARD MATT BLACK FINISH ON EXTERNAL SECTIONS.
6. BUILDING GENERAL TO SPECIFICATION AS DETAILED ON EAST DEVON PLANNING APPLCIATION 13/0522/FUL

MK	REVISIONS	DRN	CHK	APP	DATE
G	FLUE REVISED	NP	DM	MC	27/01/1
F	FUEL FILLER TUBES POSTITION REVISED	AWO	DSM	DSM	03/01/1
E	BOILER HOUSE RE POSITIONED & MIRRORRED	RJC	CE	-	17/09/13
D	BOILER REVISED TO PELLET SPECIFIC - CHIP CHUTE REMOVED	RJC	CE	-	09/09/13
C	AUTO ASH MIRRORRED SOMMERAUER 150KW BOILER	RJC	CE	-	23/08/13

HAY HOUSE NURSING HOME
BROADCLYST - EX5 3JL

1 X 150KW L&S PELLET BOILER
BOILER WITH 2x2000ltr BUFFER TANKS

BOILER HOUSE & FUEL STORE
OPTION

PRELIMINARY

ORIGINAL DRAWING SIZE A3 SCALE NTS

DRAWING NUMBER
HAY HOUSE -001

REV.
G



TRECO Ltd,
Pyramid House,
1 Tiverton Way
Tiverton Business Par
Tiverton,
Devon,
EX16 6TG

Tel. 0845 1 30 90 12
Web : www.treco.co.uk
e-mail : info@treco.co.uk